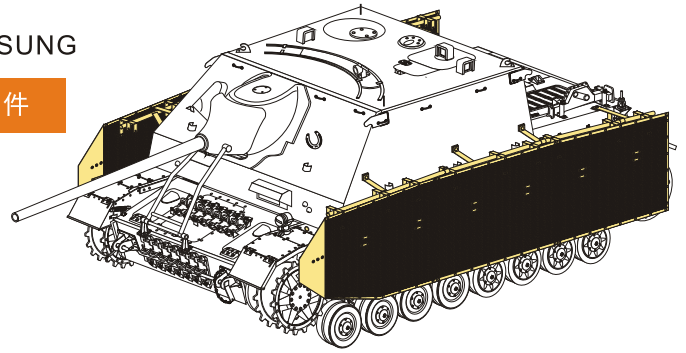


1/35 MILITARY MINIATURE VEHICLE UPGRADE SERIES PEA472

WWII German Jagdpanzer IV/70(A) ZWISCHEN LOSUNG

二战德军IV号坦克歼击车70(A)临时方案 早期型改造件

[For DRAGON 6082 / 6689/TRISTAR KIT 35048]



推荐使用工具 RECOMMENDED TOOLS



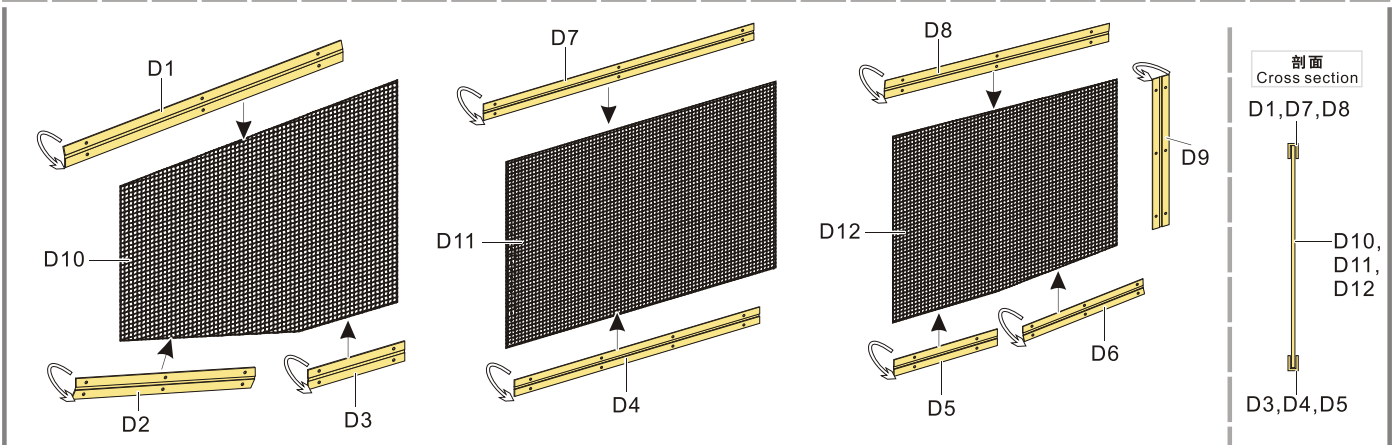
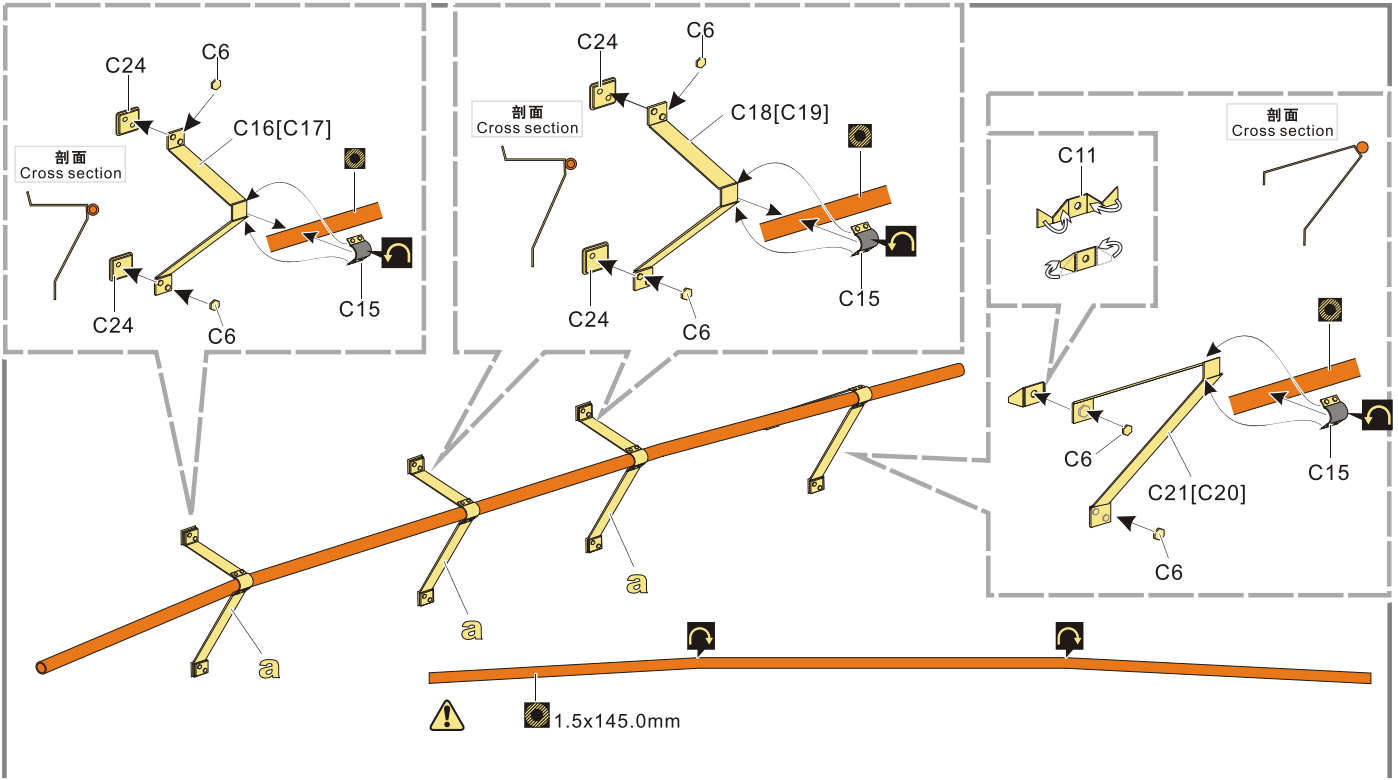
用尖端在凹槽处冲压  
use penpoint to press on the dent

蚀刻片零件内侧面向上  
Put the part upside down

用笔尖在凹槽处刮  
Use penpoint to press on the dent

**VOYAGER MODEL**

更多PEA 472样品照片请参考扫一扫  
MORE PICTURE OF PEA472  
REFERENCE SCAN HERE



1/35 MILITARY MINIATURE VEHICLE UPGRADE SERIES PEA472

VOYAGERMODEL® 无微不至 极尽享受  
The Best Upgrade Solution

**Recommended item**

PE 35186	WWII German Jagdpanzer IV/70(A) ZWISCHEN LOSUNG
PE35187	WWII German Pz.Kpfw.IV Series Fenders
PE35551	WWII German Jagdpanzer IV/70(A) ZWISCHEN LOSUNG
VBS0149	WWII German Jagdpanzer family 75mm L/70 Barrel w/Mantlet

