

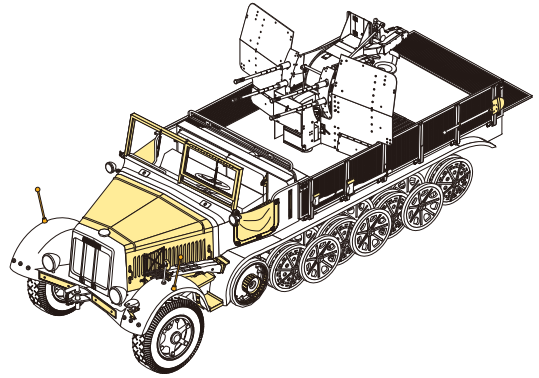
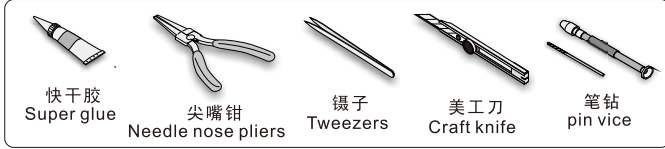
1/35 MILITARY MINIATURE VEHICLE UPGRADE SERIES PE35299

# WWII German Sd.Kfz.7/1 Part 1

二战德军Sd.Kfz.7/1半履带20MM四联装防空车基本改造件

[For DRAGON 6525]

■ 推荐使用工具 RECOMMENDED TOOLS



↑ 安装 install	↶ 折叠 bend	<b>A1</b> 改造件零件编号 PE/resin part number	<b>B12</b> 原零件编号 kit part number
<b>C22</b> 被替换的原零件编号 replaced kit part number	↷ 弧度卷曲 radial bending	<b>x2</b> 制作若干组 multiple assembly	
⚠ 注意 caution	⚙ 钻孔 drill	↔ 另一侧相同制作 repeat on opposite side	↔ 选择安装 alternative
		↖ 切除 remove	

↓  
用尖端在凹槽处冲压  
use penpoint to press on the dent

蚀刻片零件内侧面向上  
Put the part upside down

用笔尖在凹槽处刮  
Use penpoint to press on the dent

**Acknowledgement**

In cooperation with WWP Publication .  
Technical data, drawings & photo  
courtesy of Frantisek Koran,  
Rudi Schoeters, Martin Velek and Jan  
Horak as in Special Museum Line  
NO.36 "Sd.Kfz.7 in detail"

**a** Assembly of the main chassis frame (parts H30, H31, H36, H37, G28, B15).

**b** Assembly of the motor and drum components (parts C4, C6, G71, G76, G79, H10, x2).

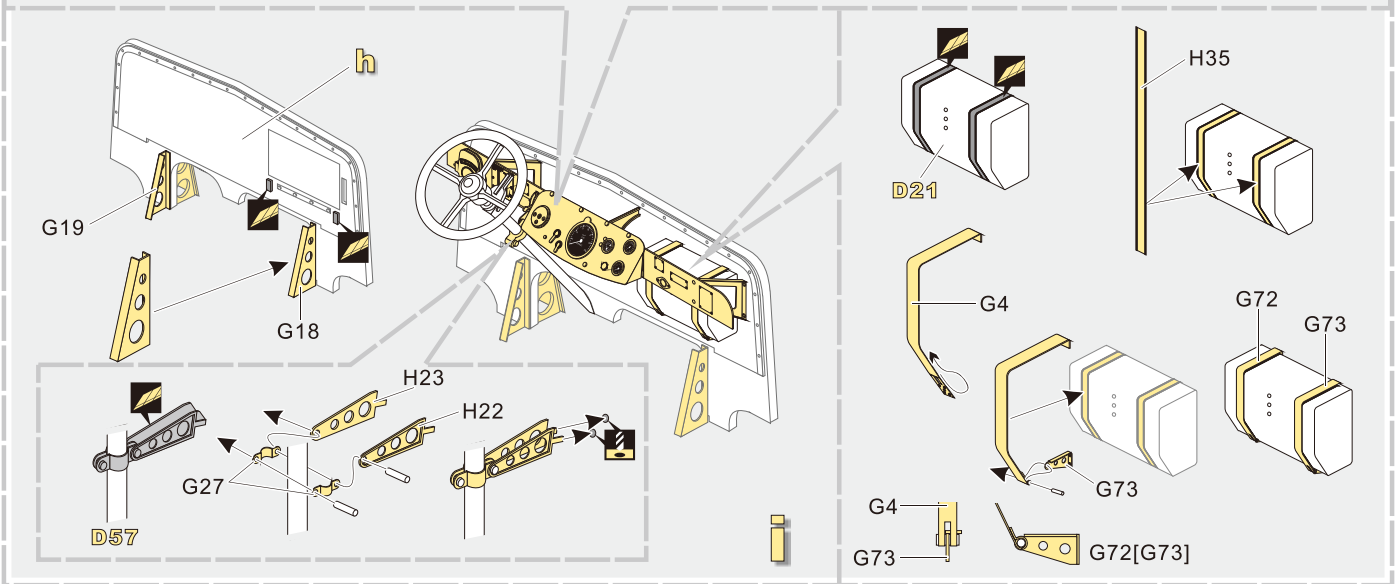
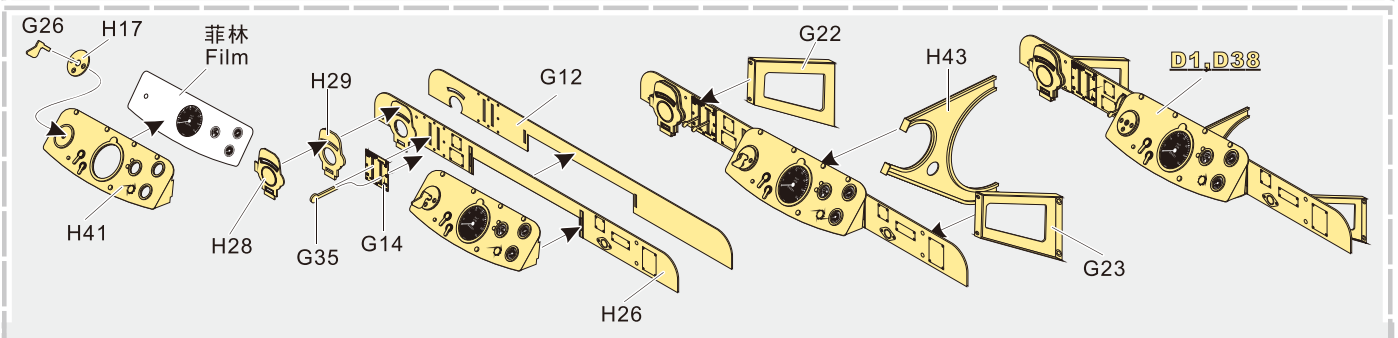
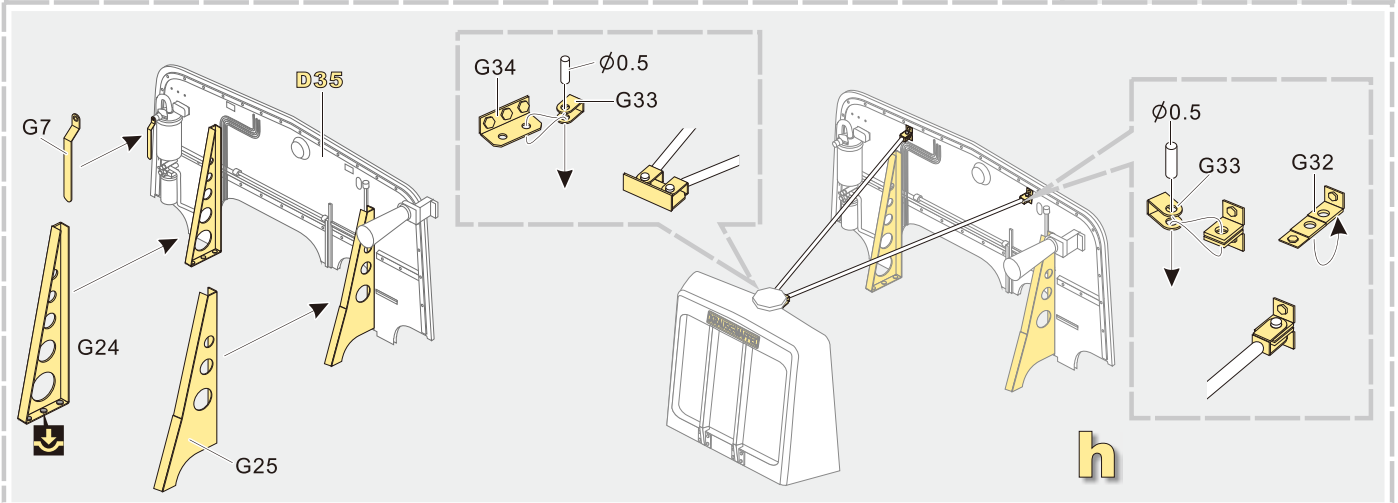
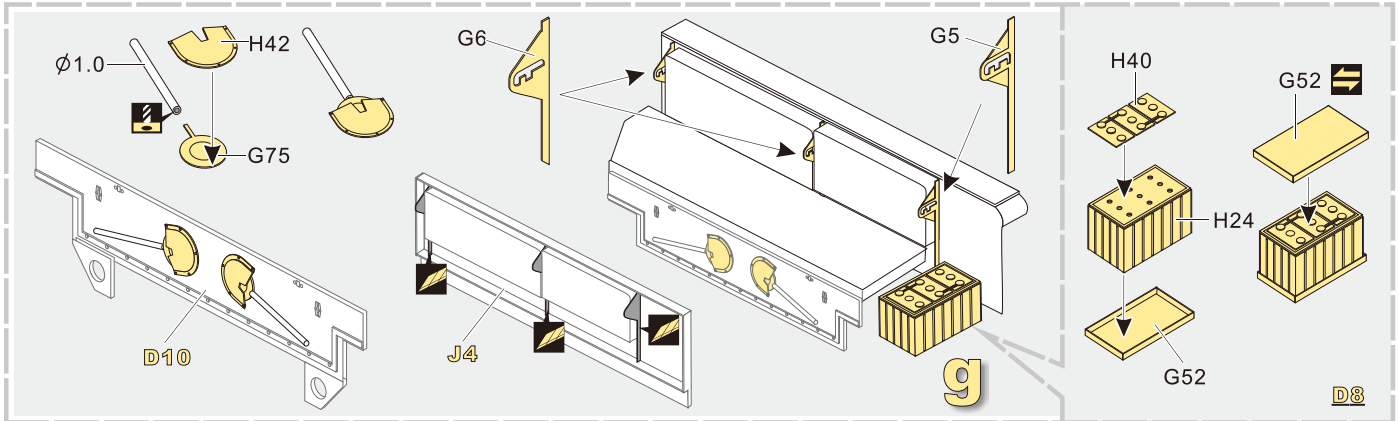
**c** Assembly of the wheels and axles (parts B41, B32, G89, Ø0.5).

**d** Rotating the propeller 30° clockwise (parts H18).

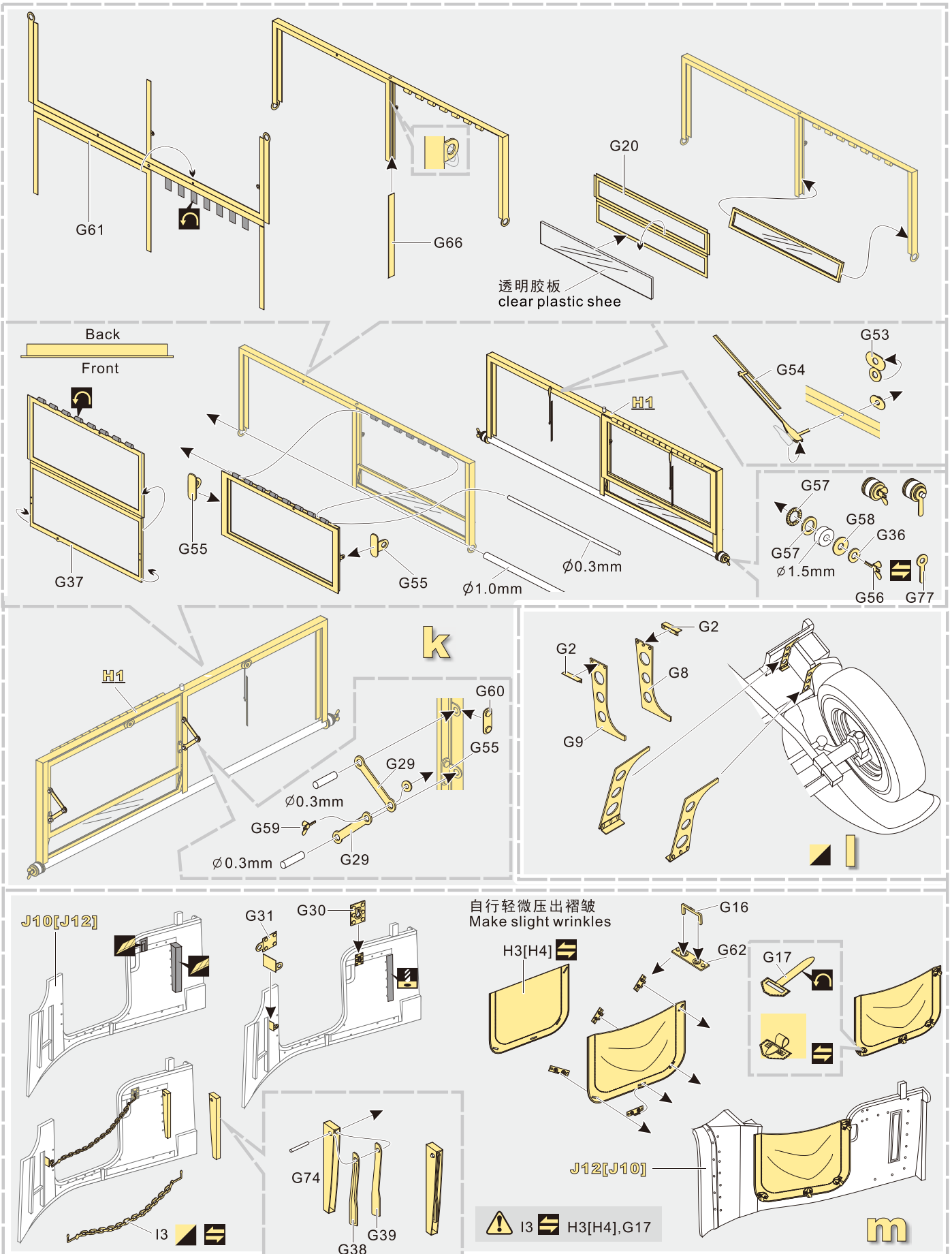
**e** Assembly of the fenders (parts H39, D23).

**f** Assembly of the rear body panels (parts G10, D9, D22, I2).

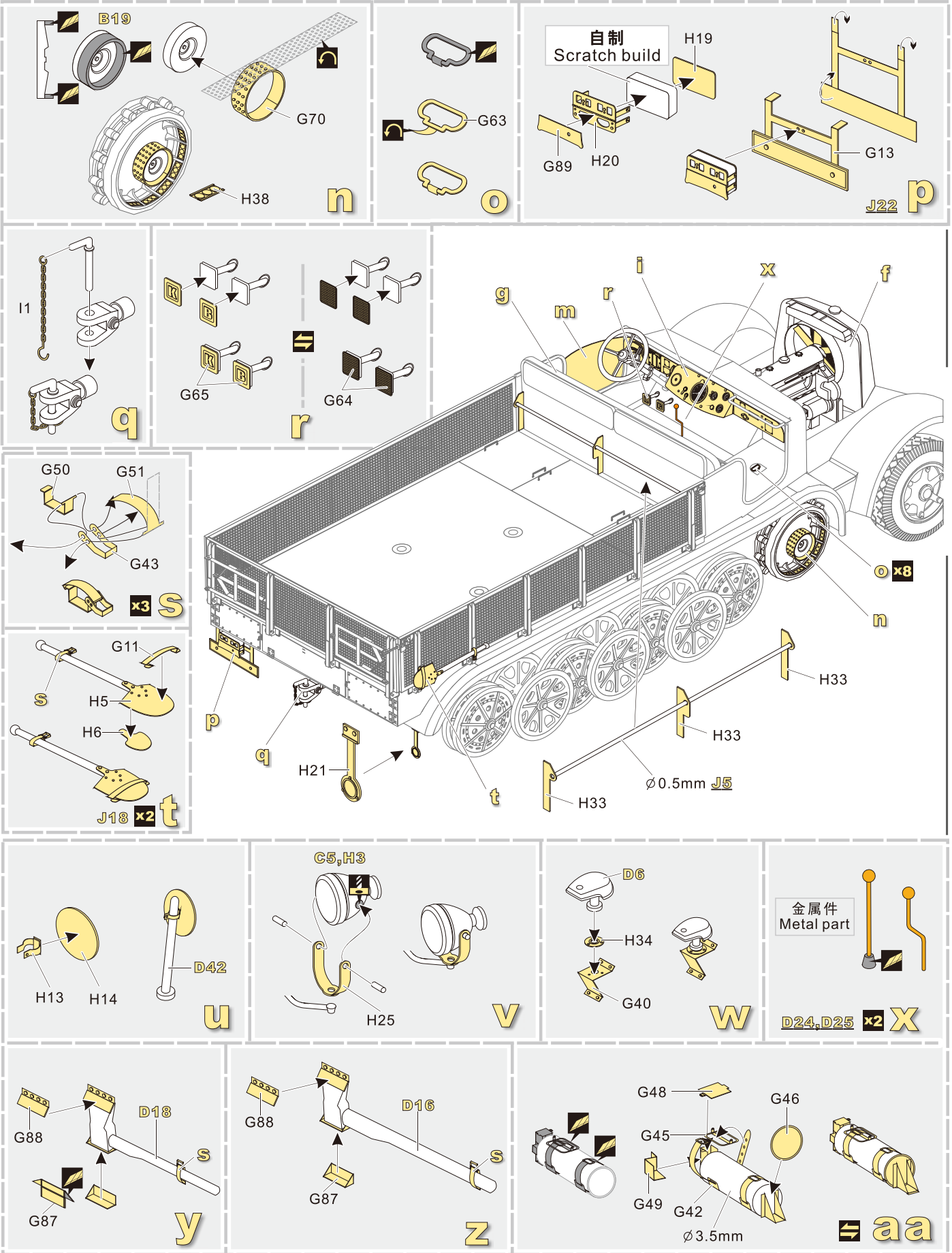
1/35 MILITARY MINIATURE VEHICLE UPGRADE SERIES PE35299



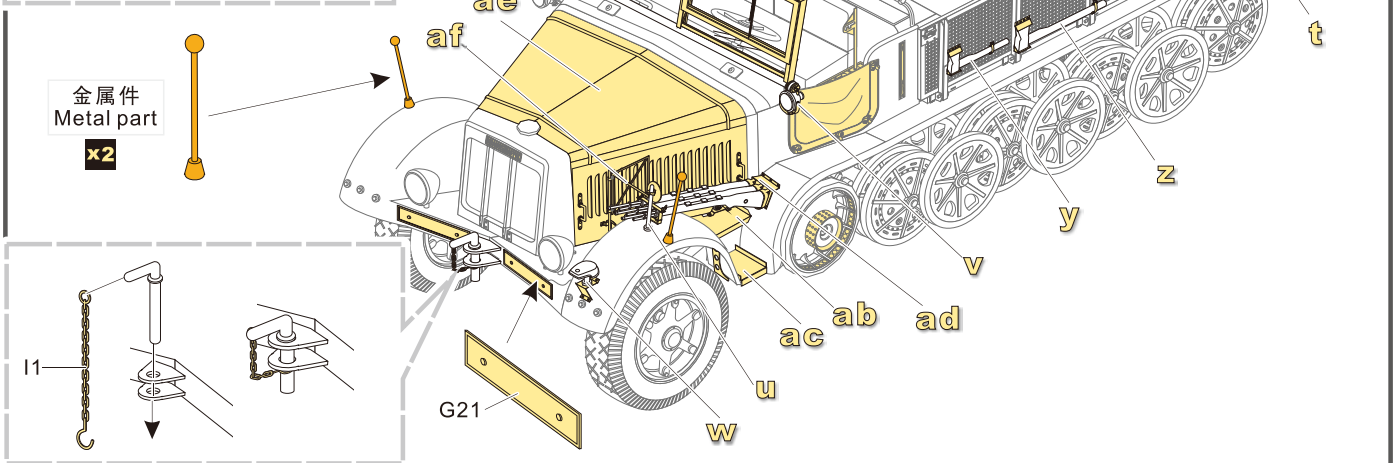
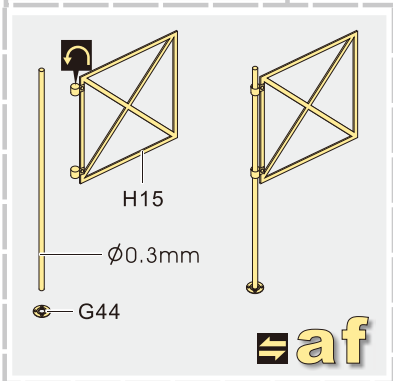
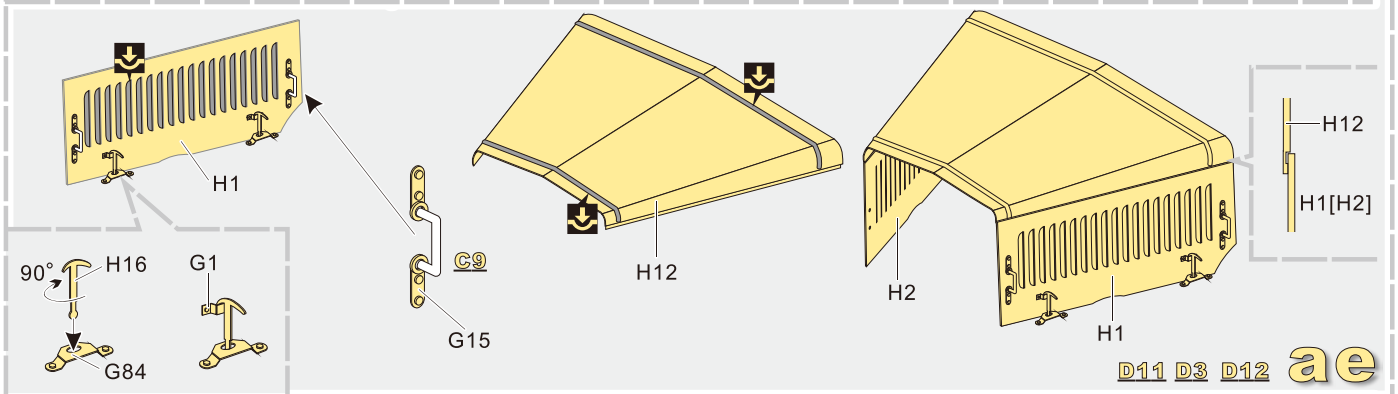
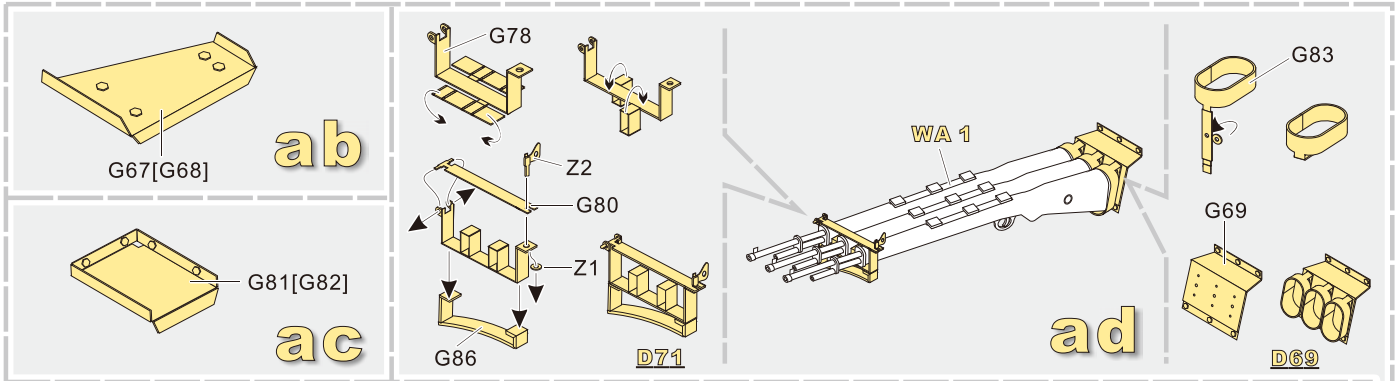
1/35 MILITARY MINIATURE VEHICLE UPGRADE SERIES PE35299



1/35 MILITARY MINIATURE VEHICLE UPGRADE SERIES PE35299



1/35 MILITARY MINIATURE VEHICLE UPGRADE SERIES PE35299



**VOYAGERMODEL®** 无限不至 极致享受  
The Best Upgrade Solution

Recommended item	
PE35231	WWII German Sd.Anhanger 51
PE35301	WWII German Sd.Kfz.7/1 Part 2 (20mm Flakverling38)
PE35302	WWII German Sd.Kfz.7/1 Part 3(HULL)
AP067	WWII German Magazines & Ammo Boxes for Flak 30/38
PEA183	WWII German Sd.Kfz.7 Road Wheels Pattern 1
PEA177	WWII German tank Stenciling template2
ME-A039	WWII German Shells for 1/35 20mm Flak 38
VBS0137	WWII German 20mm Flak38 Barrel w/Ammo Magazine 4X4