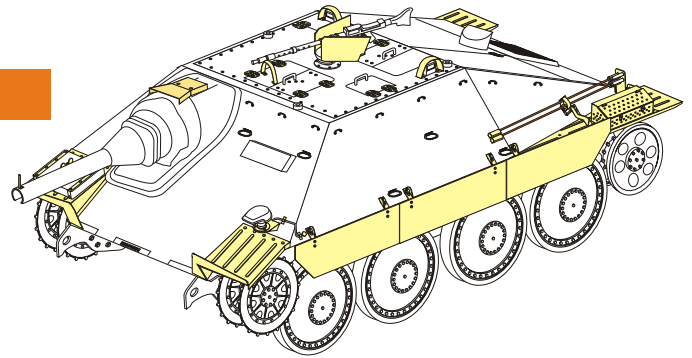


1/35 MILITARY MINIATURE VEHICLE UPGRADE SERIES PE351297

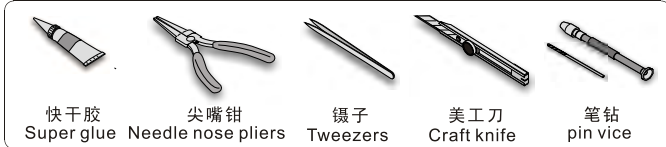
## WWII German Sd.Kfz. 138/2 Hetzer Tank Destroyer Late Version

### 二战德军追猎者坦克歼击车后期型改造件

[For TAKOM]



#### 推荐使用工具 RECOMMENDED TOOLS



快干胶 Super glue    尖嘴钳 Needle nose pliers    镊子 Tweezers    美工刀 Craft knife    笔钻 pin vice

↑  
安装  
install

↩  
折叠  
bend

**A1**  
改造件零件编号  
PE/resin part number

**B12**  
原零件编号  
kit part number

**C22**  
被替换的原零件编号  
replaced kit part number

▲  
另一侧相同制作  
repeat on opposite side

✂  
切除  
remove

🔪  
打磨  
grind off

📏  
弧度卷曲  
radial bending

📦  
制作若干组  
multiple assembly

↔  
选择安装  
alternative

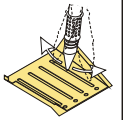
🔧  
钻孔  
drill

📏  
用胶棒制作  
make from plastic rod

↓  
用尖端在凹槽处冲压  
use penpoint to press on the dent

📏  
蚀刻片零件内侧面向上  
Put the part upside down

📏  
用笔尖在凹槽处刮  
Use penpoint to press on the dent



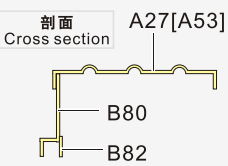
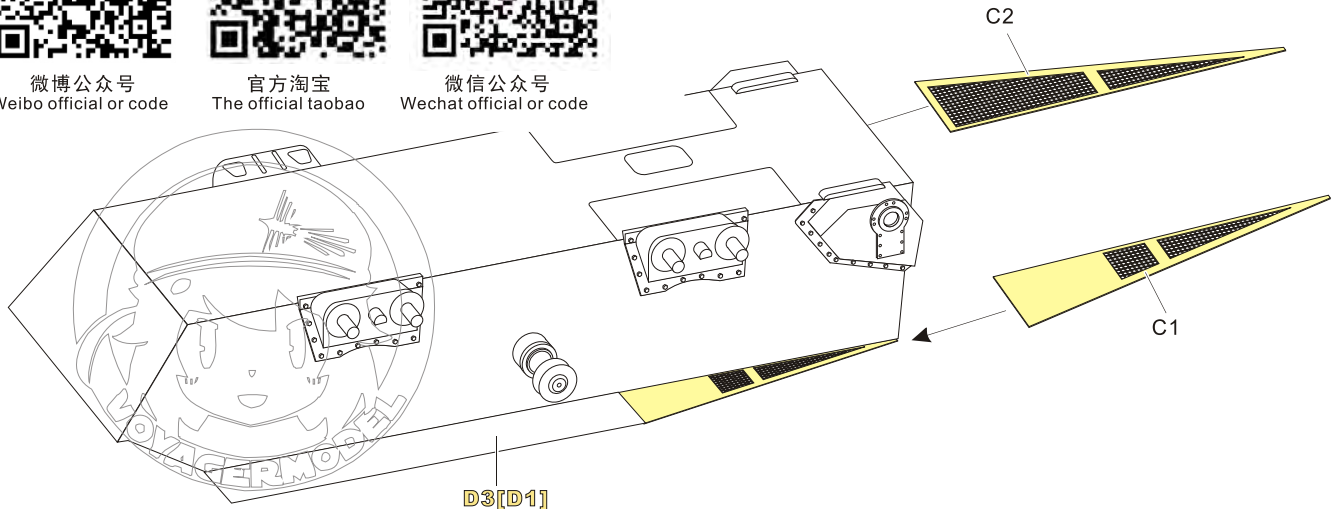
微博公众号  
Weibo official or code



官方淘宝  
The official taobao



微信公众号  
Wechat official or code



B80[B83]

B80

U9[U8]

B82

A27[A53]

B51

A39[A38]

A1

A12

B56

a

1/35 MILITARY MINIATURE VEHICLE UPGRADE SERIES PE351297

**b**

**c**

**d** x19

取自其他套件  
Obtained from other kits

**e**

Push

**f** x24

**g**

**h** x2

**i**

**j** x2

自制  
Scratch build

**k**

**l**

**m**

**n**

**o**

**p**

1/35 MILITARY MINIATURE VEHICLE UPGRADE SERIES PE351297

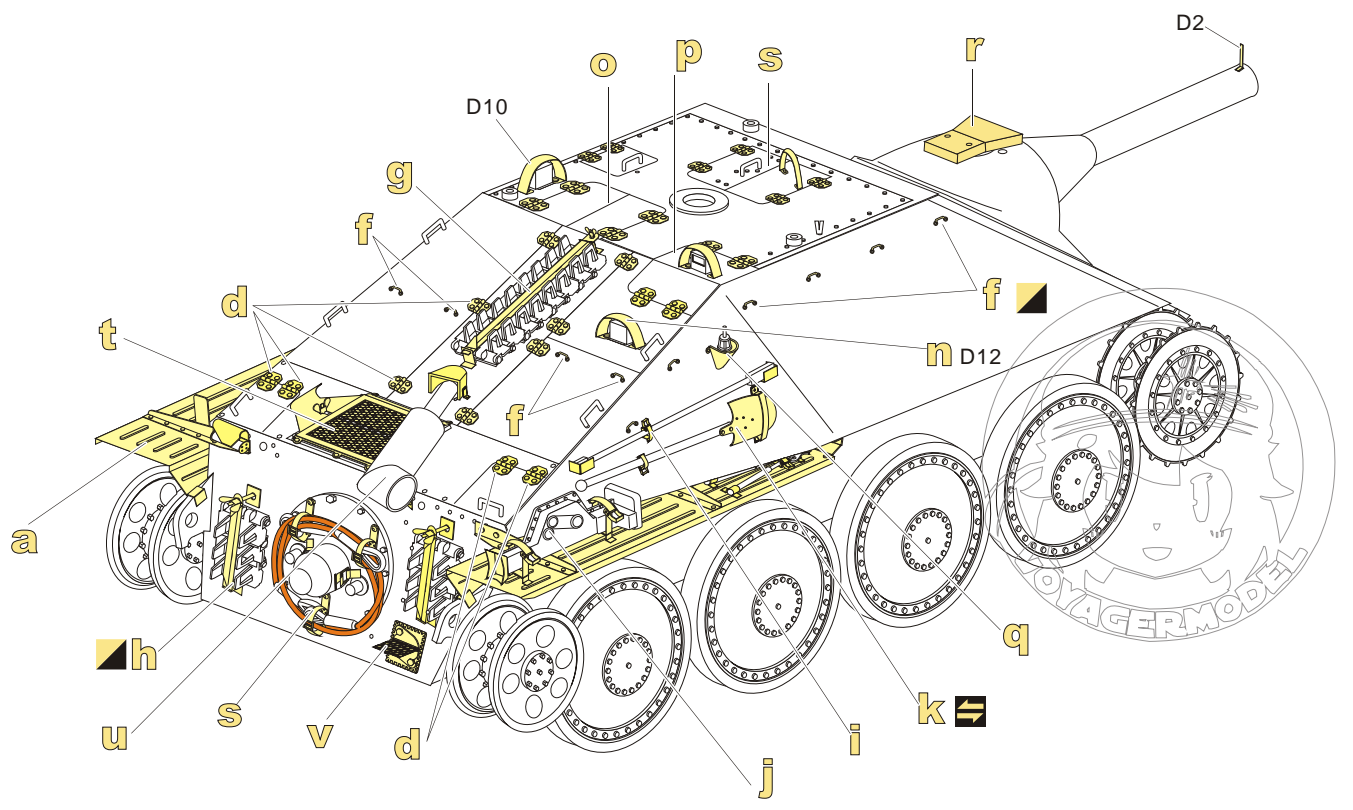
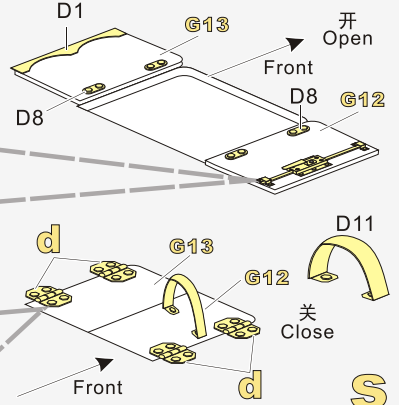
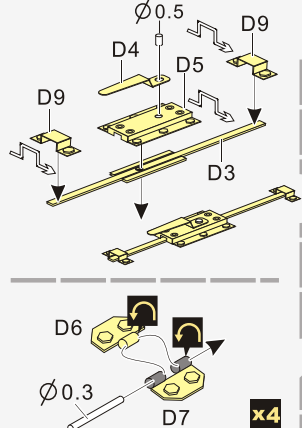
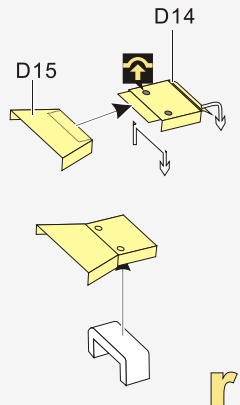
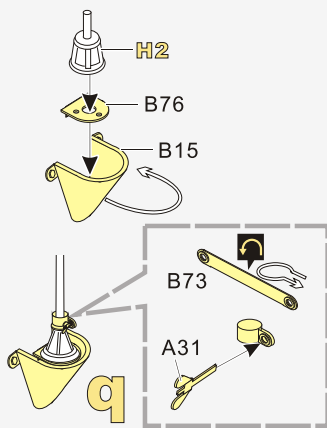
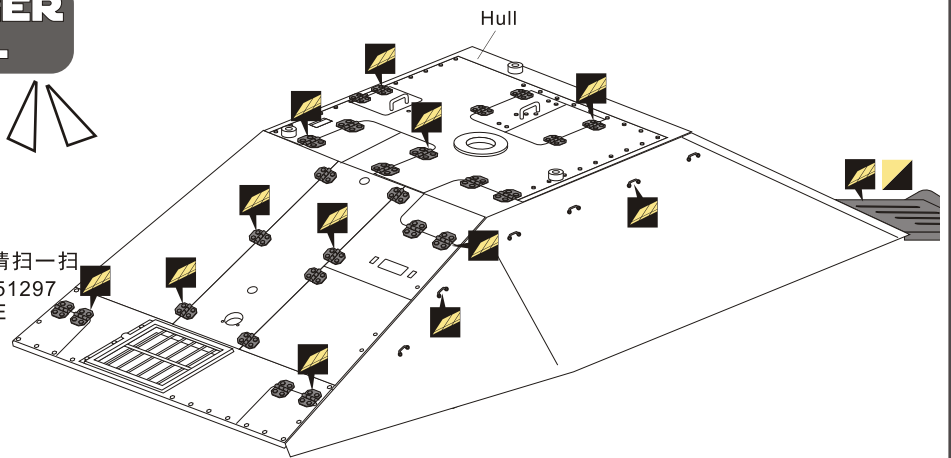
[Http://www.voyagermodel.com/productdetails.asp?itemid=PE351297](http://www.voyagermodel.com/productdetails.asp?itemid=PE351297)



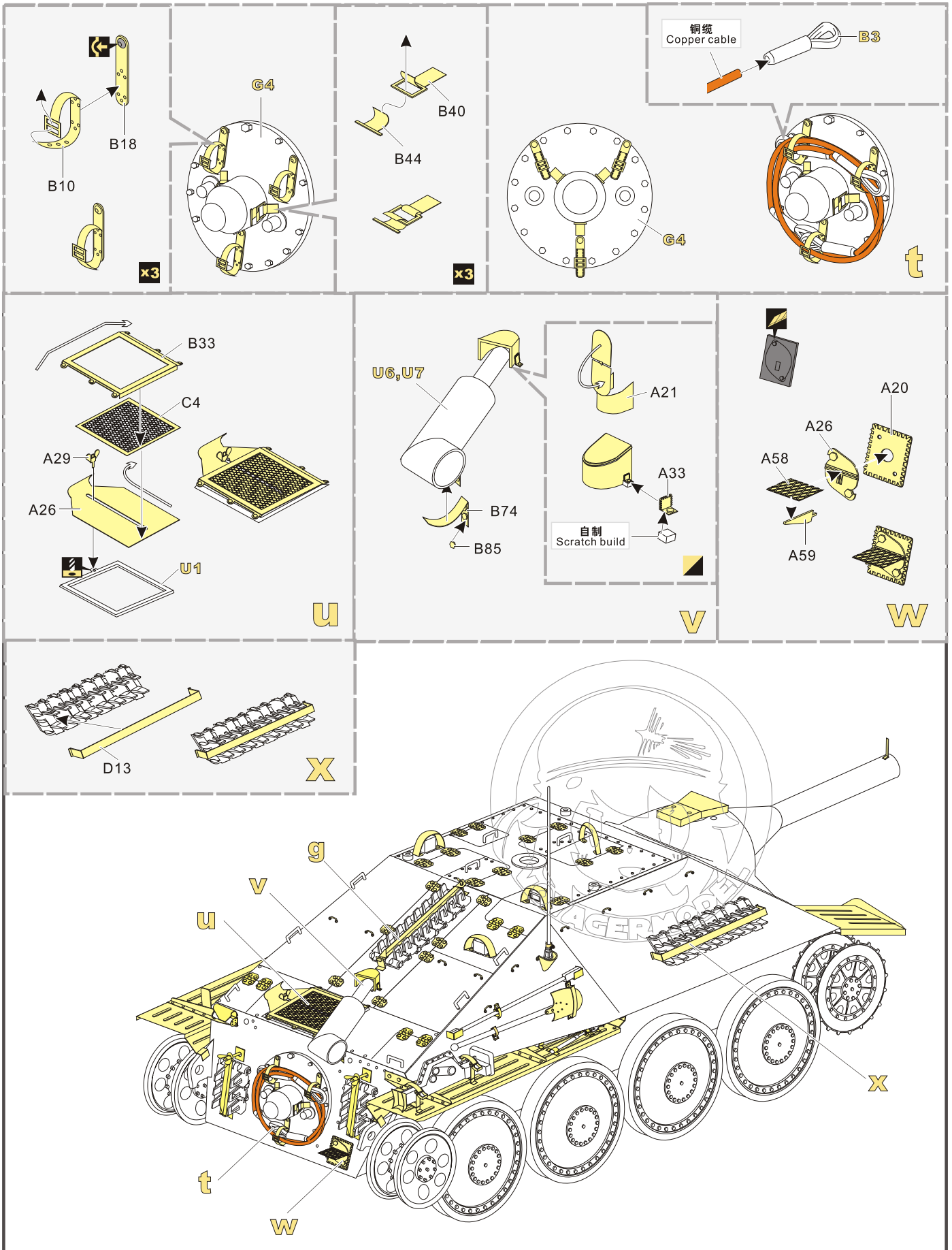
**VOYAGER  
MODEL**



更多PE351297样品照片参考请扫一扫  
MORE PICTUER OF PE 351297  
REFERENCE SCAN HERE

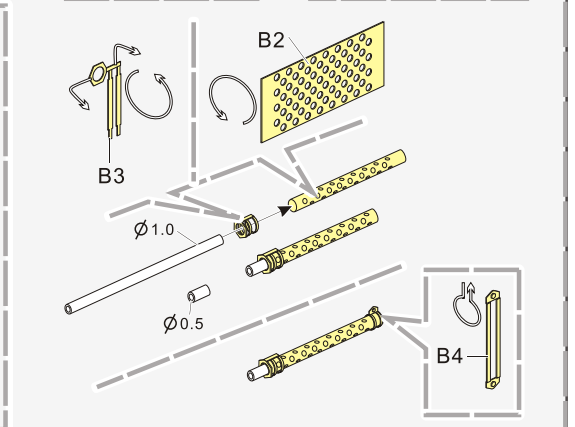
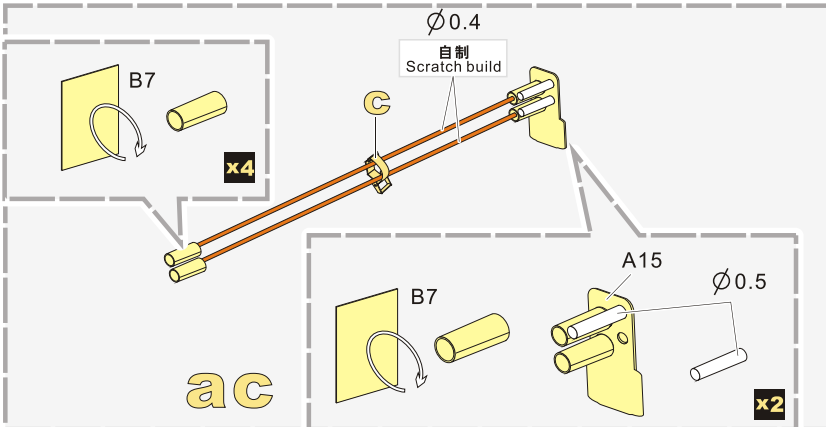
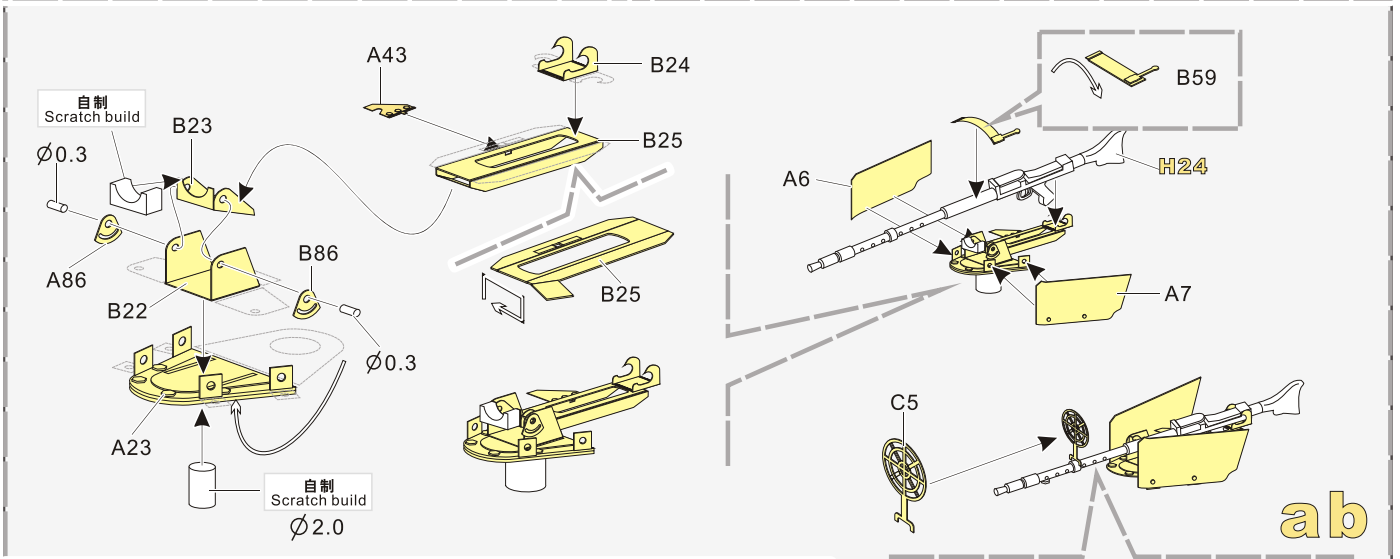
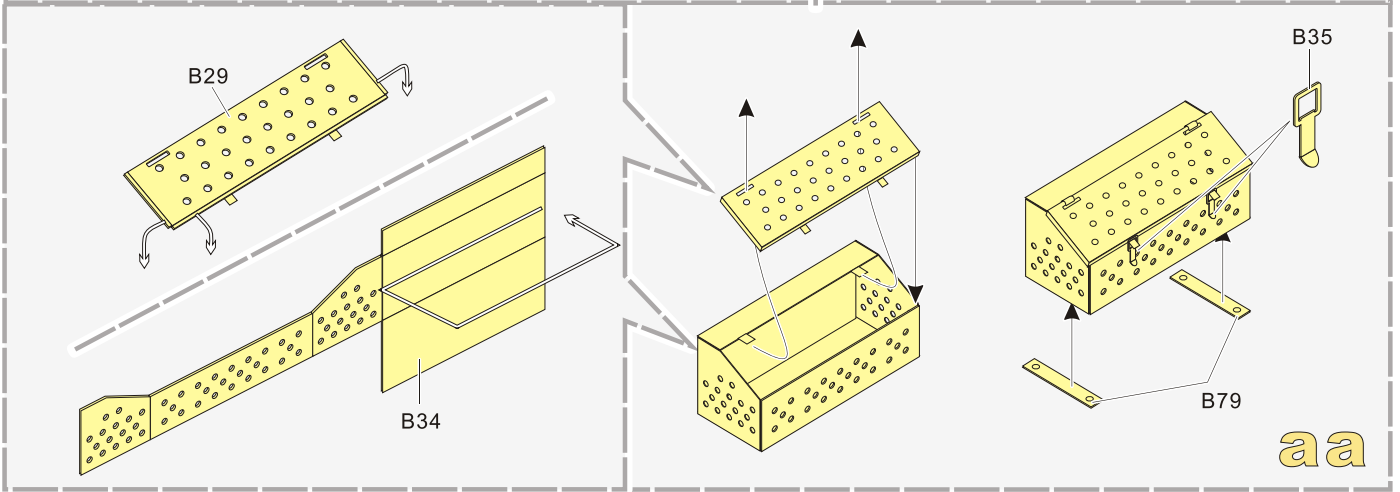
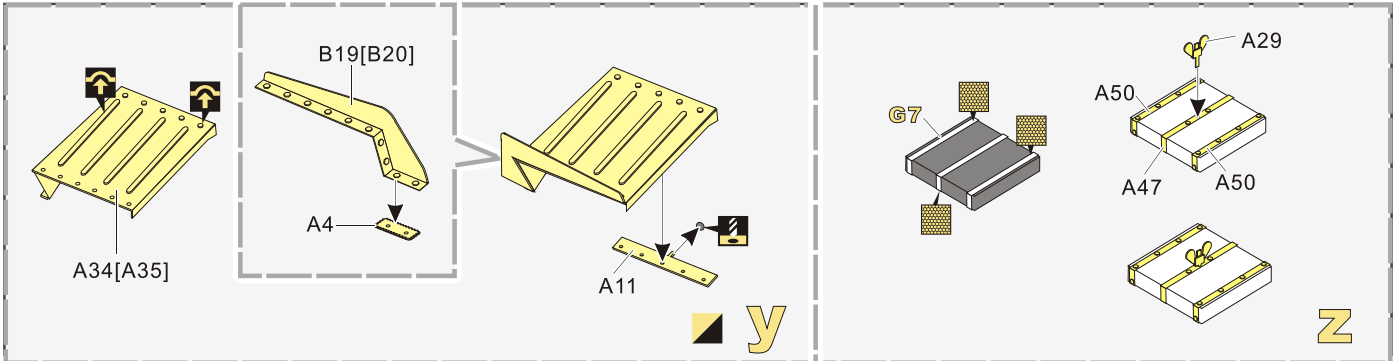


1/35 MILITARY MINIATURE VEHICLE UPGRADE SERIES PE351297

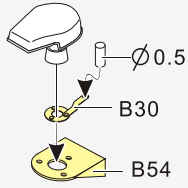




1/35 MILITARY MINIATURE VEHICLE UPGRADE SERIES PE351297



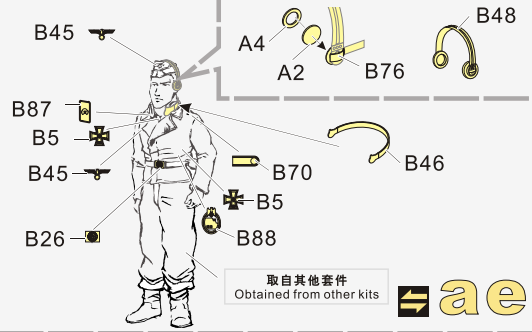
1/35 MILITARY MINIATURE VEHICLE UPGRADE SERIES PE351297



自制  
Scratch build



ad

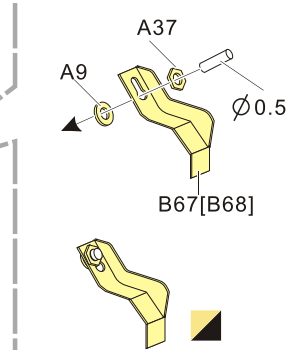
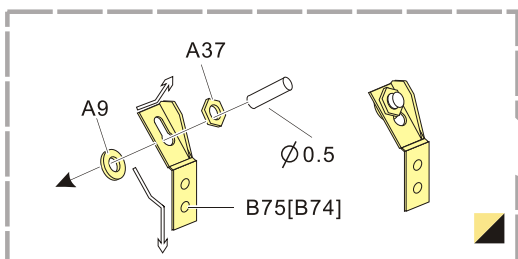
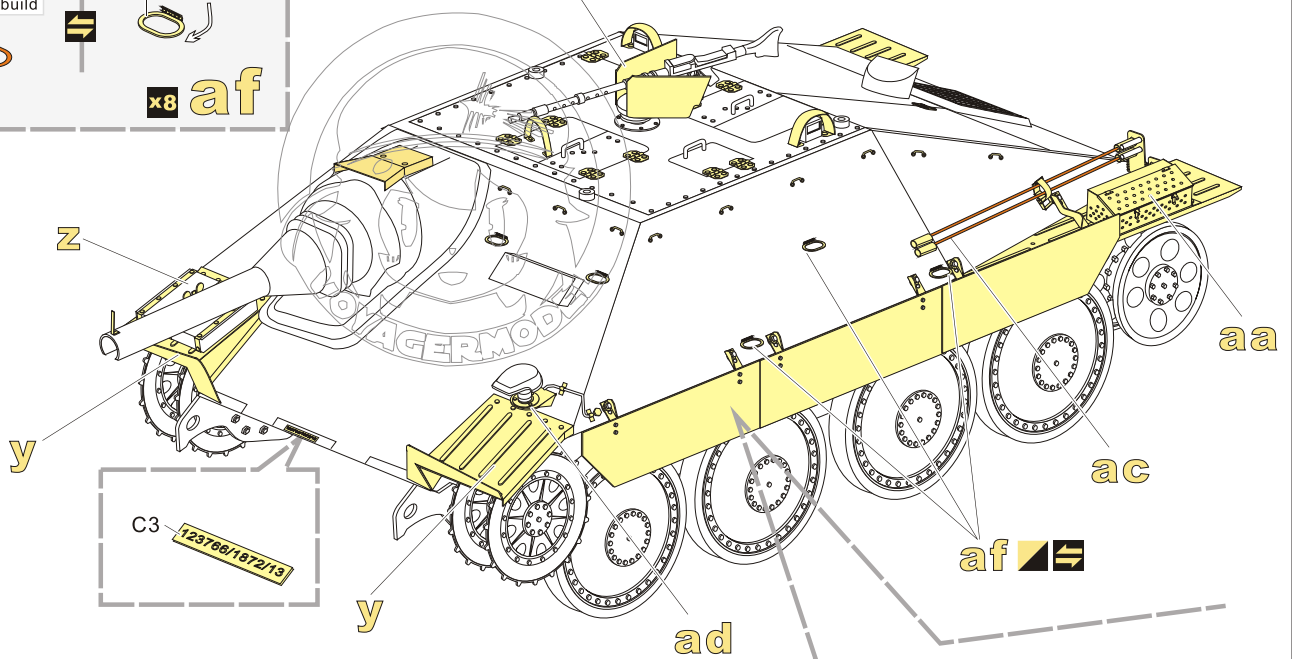


自制  
Scratch build



x8 af

ab



追猎者的侧裙存在铆接和焊接2种方式，  
请酌情选择制作方式  
There are 2 methods of side skirts of Hetzer  
riveting and welding, chose the  
way as your need

B16[B13]

B27

B13[B16]

VOYAGERMODEL® The Best Upgrade Solution	
Recommended item	
PE 35916	WWII German Bergepanzer Hetzer Basic
PE 35176	WWII German HETZER
PE 351052	WWII German Sd.Kfz.138/2 Hetzer Tank Destroyer Early Version (B ver include Gun Barrel)
PE 35666	WWII German Sd.Kfz.138/2 Hetzer Tank Destroyer Early Version (B ver include Gun Barrel)
PE 351038	WWII German Sd.Kfz.138/2 Hetzer Tank Destroyer Late Version (B ver include Gun Barrel)
VBS 0542	WWII German Sd.Kfz.138/2 Hetzer Tank Destroyer Middle Version Gun Barrel
VBS 0541	WWII German Sd.Kfz.138/2 Hetzer Tank Destroyer Early Version Gun Barrel