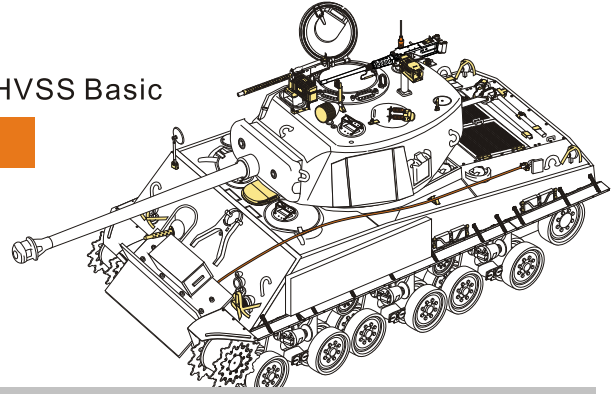


1/35 MILITARY MINIATURE VEHICLE UPGRADE SERIES PE351285

WWII US M4A3E8 Early Version Thunderbolt VII HVSS Basic

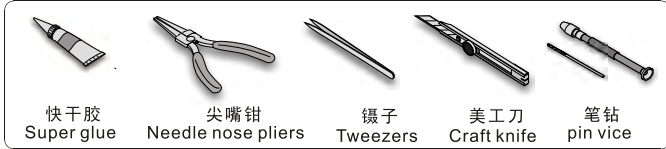
二战美国M4A3E8 闪电7号 HVSS中型坦克基本改造件

[For R.M.F.5092]



Technical assistance provided by Mr.ZHONG MINGZHOU

推荐使用工具 RECOMMENDED TOOLS



快干胶
Super glue

尖嘴钳
Needle nose pliers

镊子
Tweezers

美工刀
Craft knife

笔钻
pin vice

↑
安装
install

↪
折叠
bend

A1
改造件零件编号
PE/resin part number

B12
原零件编号
kit part number

C22
被替换的原零件编号
replaced kit part number

↔
另一侧相同制作
repeat on opposite side

✂
切除
remove

🔪
打磨
grind off

📏
弧度卷曲
radial bending

✖
制作若干组
multiple assembly

↔
选择安装
alternative

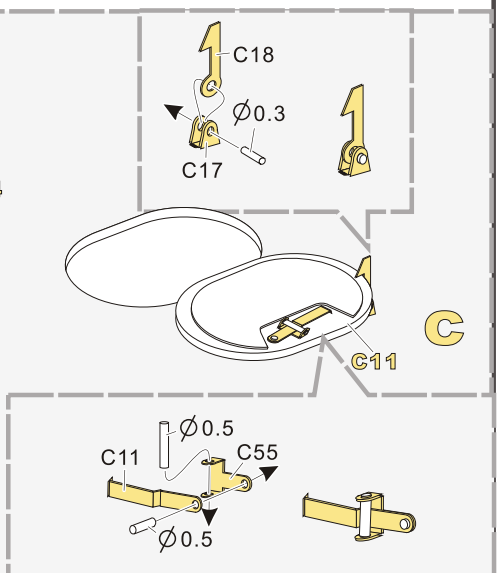
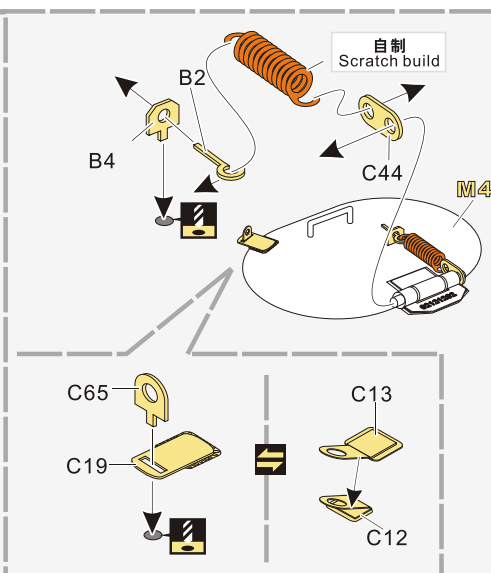
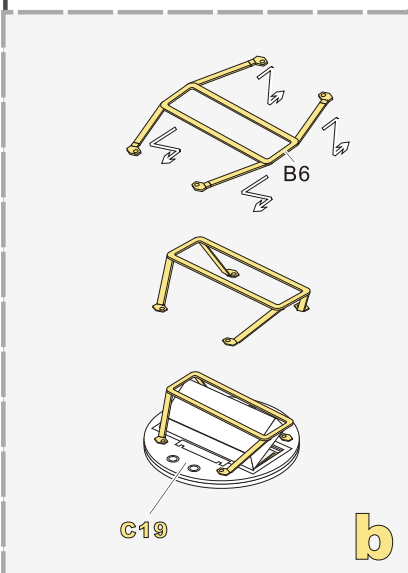
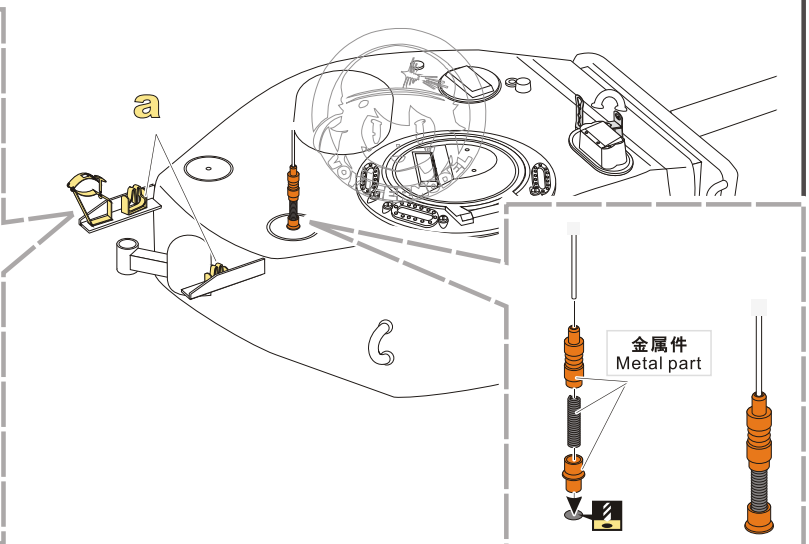
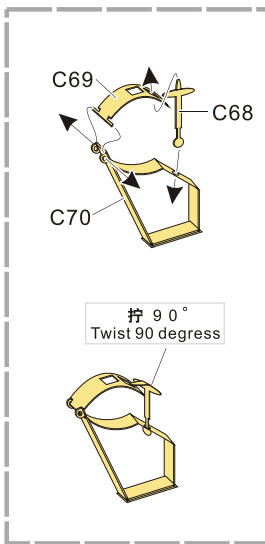
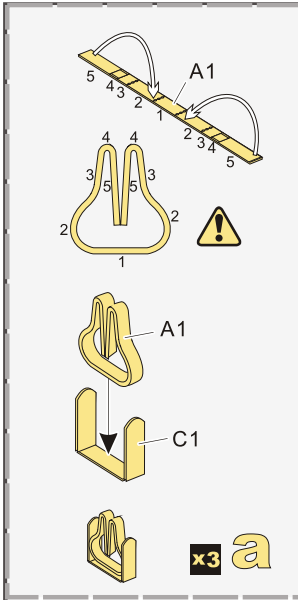
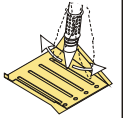
🔧
钻孔
drill

⚠
注意
caution

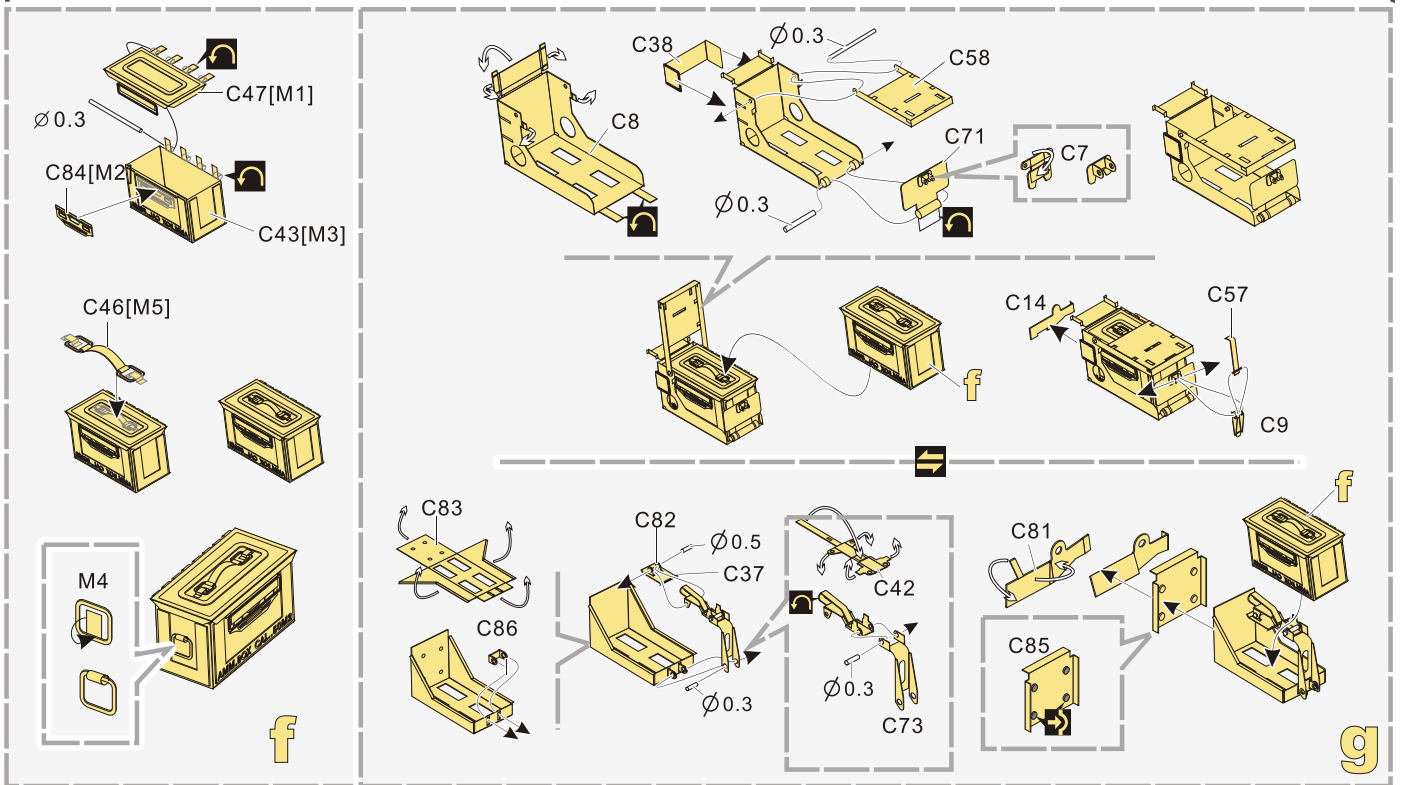
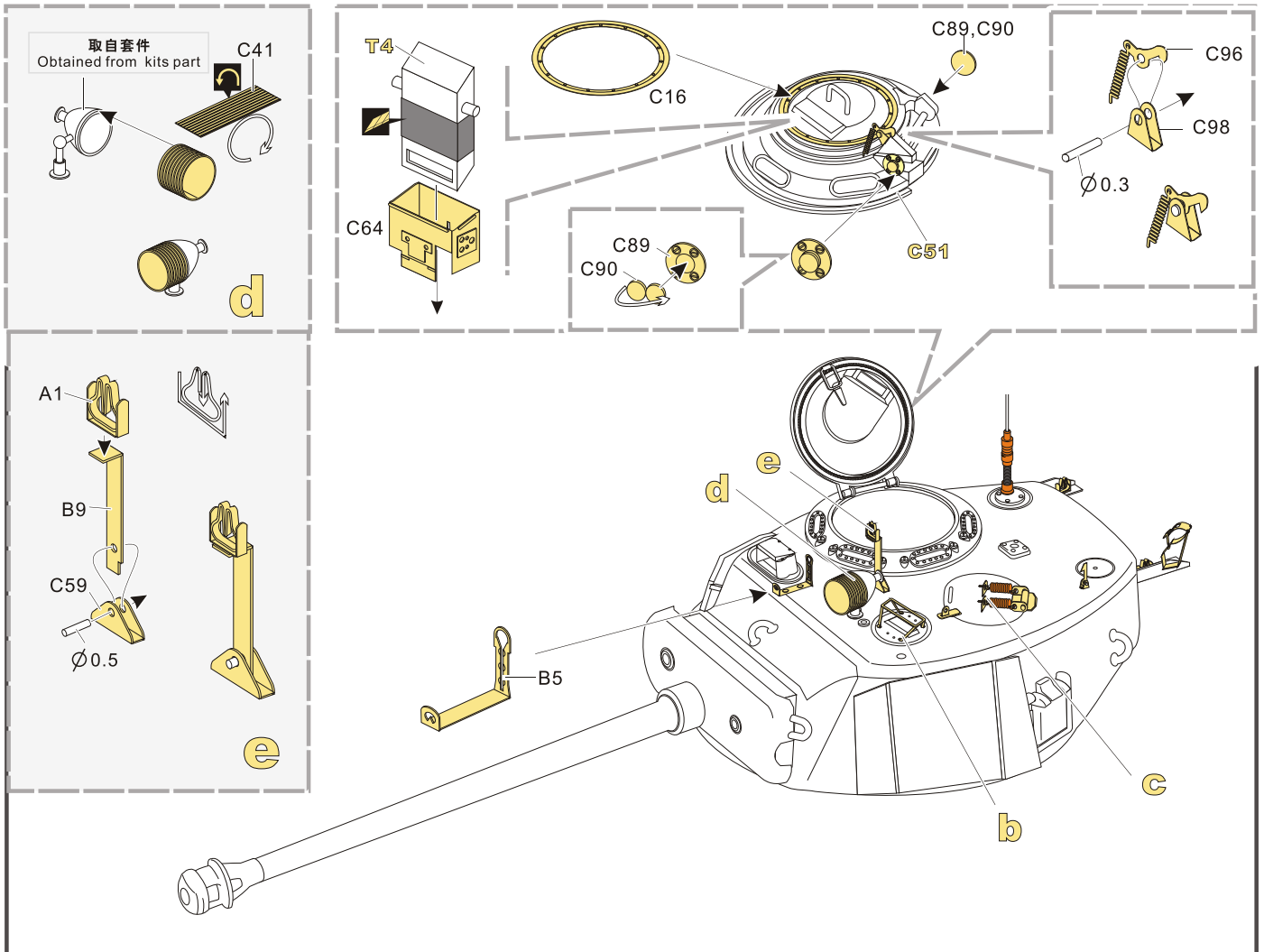
⬇
用尖端在凹槽处冲压
use penpoint to press on the dent

📄
蚀刻片零件内侧面向上
Put the part upside down

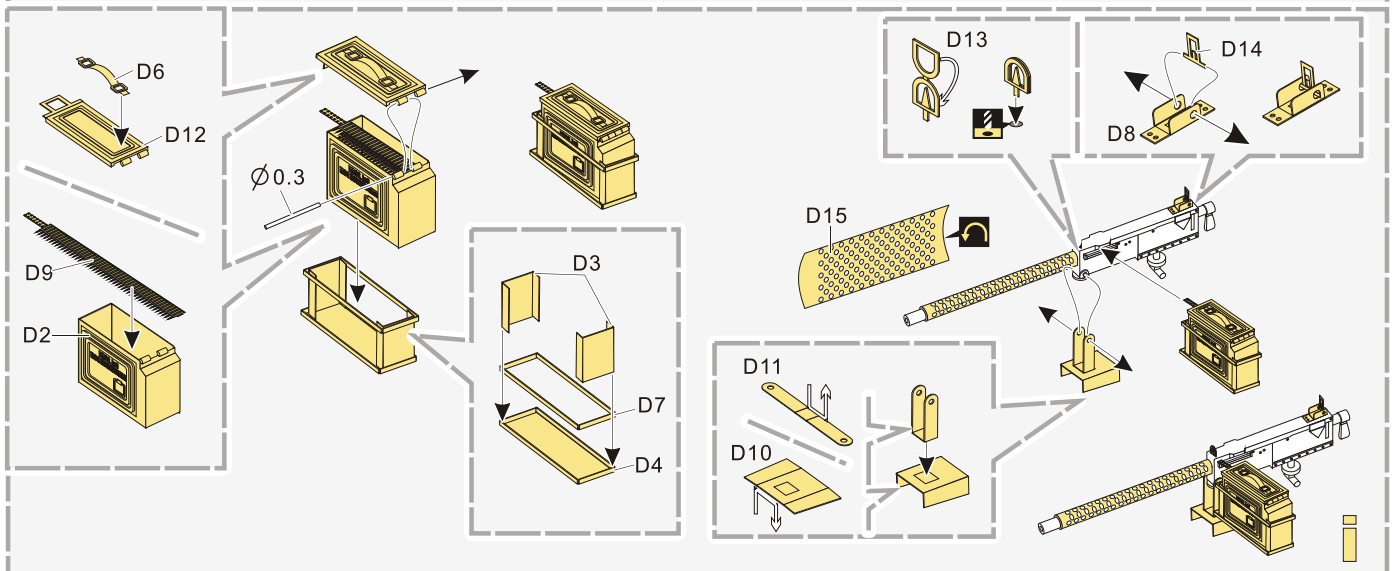
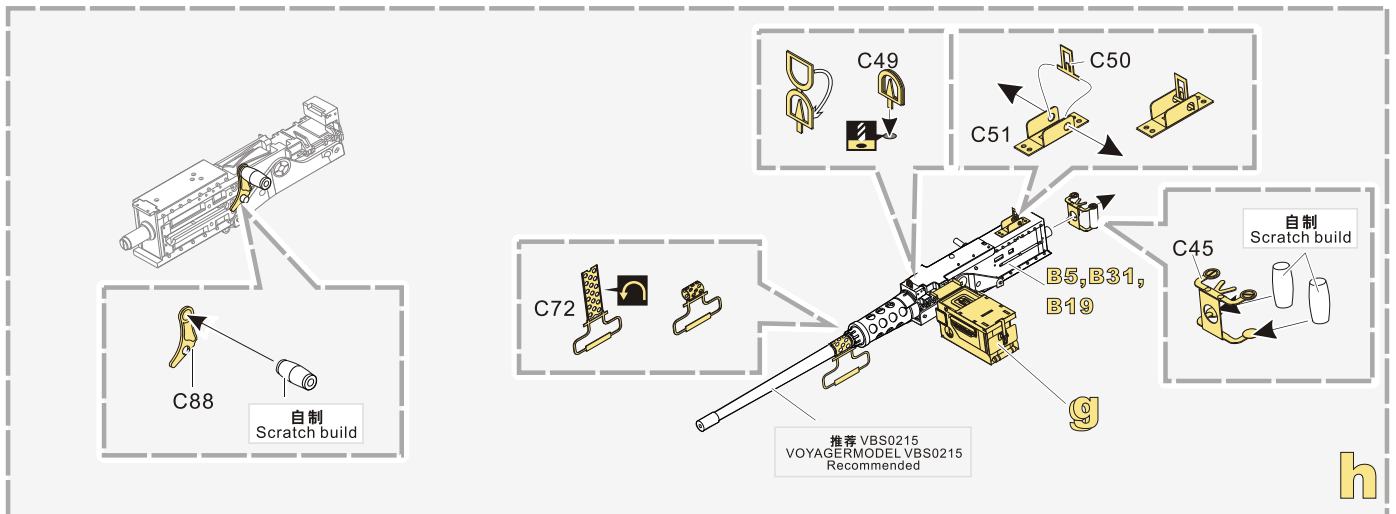
📄
用笔尖在凹槽处刺
Use penpoint to press on the dent



1/35 MILITARY MINIATURE VEHICLE UPGRADE SERIES PE351285



1/35 MILITARY MINIATURE VEHICLE UPGRADE SERIES PE351285



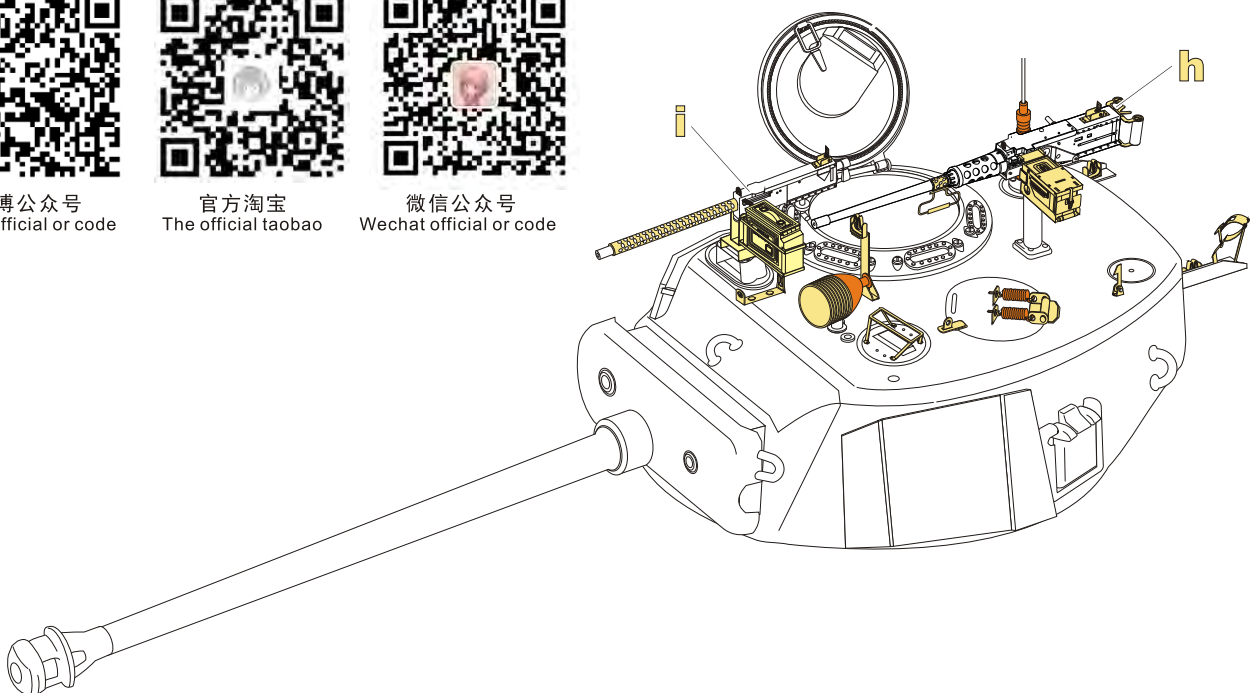
微博公众号
Weibo official or code



官方淘宝
The official taobao



微信公众号
Wechat official or code



1/35 MILITARY MINIATURE VEHICLE UPGRADE SERIES PE351285

j

k

l

m

n

o

p 树脂件 Resin part x2

q

r

s

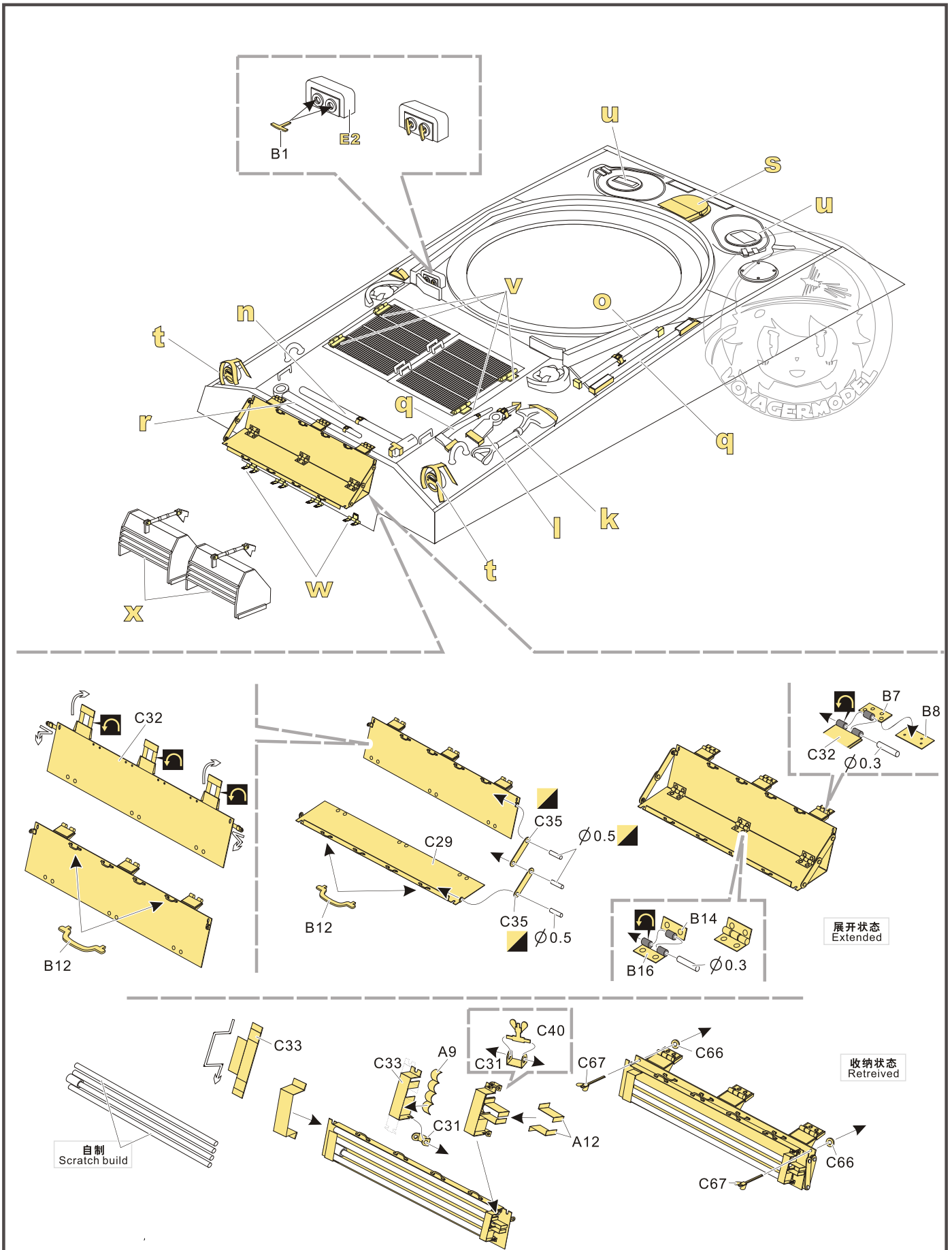
t

u

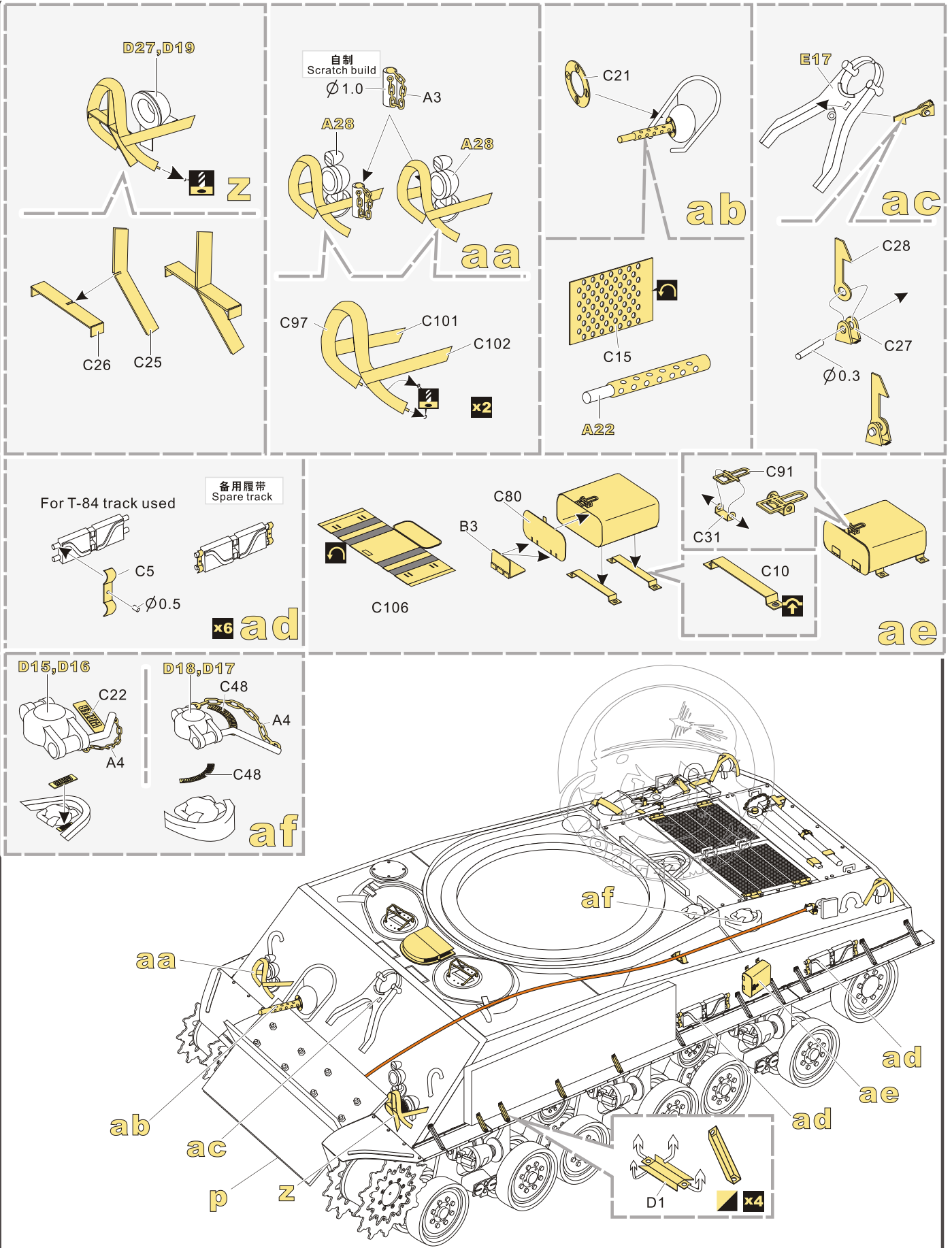
v x4

w x4

x

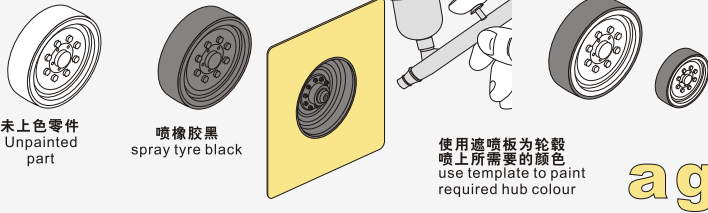


1/35 MILITARY MINIATURE VEHICLE UPGRADE SERIES PE351285



1/35 MILITARY MINIATURE VEHICLE UPGRADE SERIES PE351285

漏喷板使用说明:
Instruction:



[Http://www.voyagermodel.com/productdetails.asp?itemid=PE351285](http://www.voyagermodel.com/productdetails.asp?itemid=PE351285)

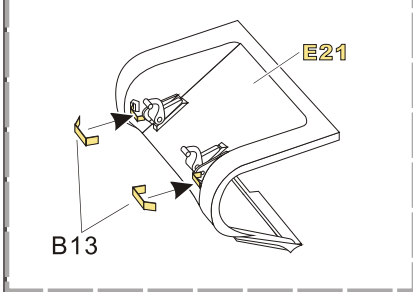
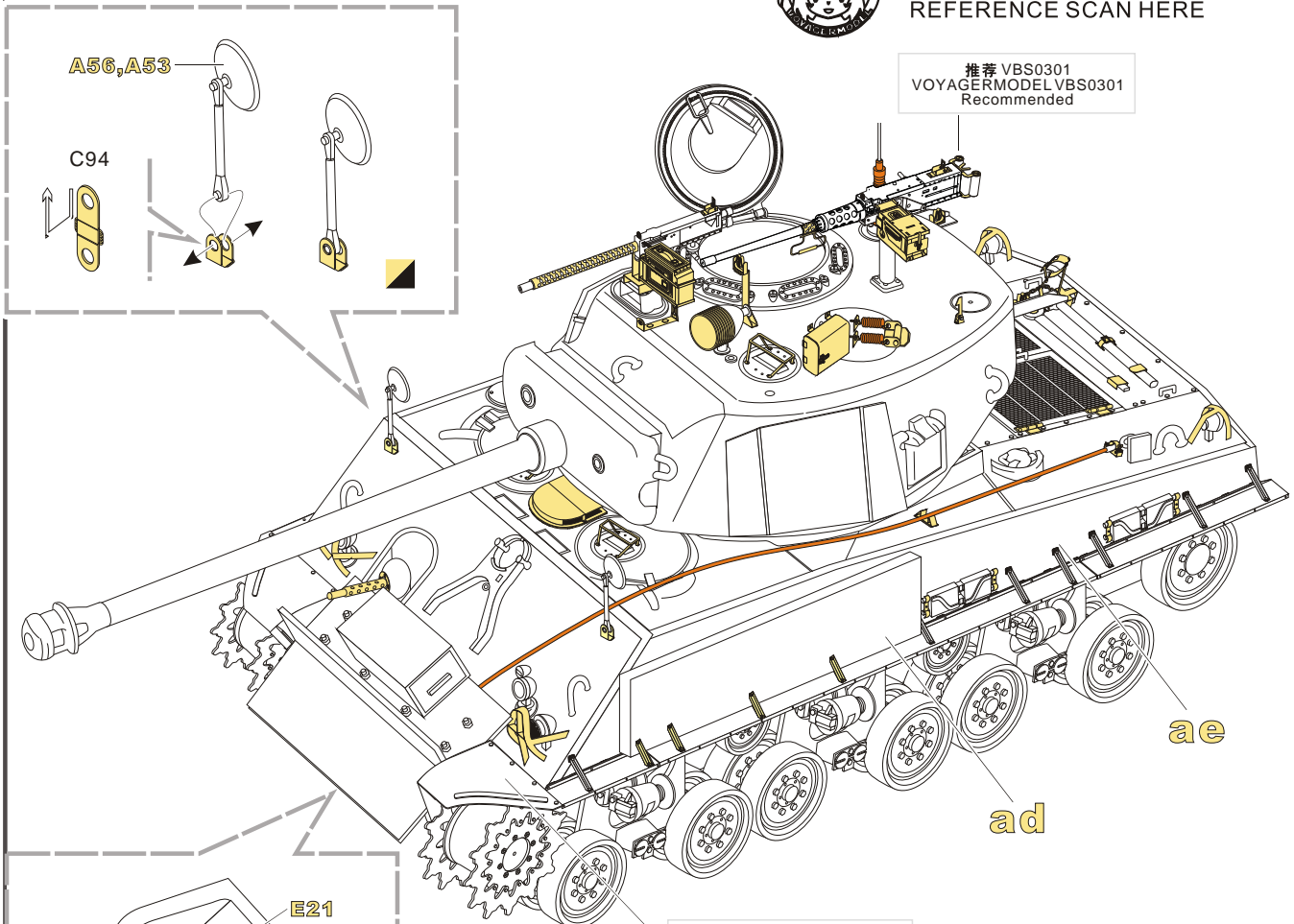


**VOYAGER
MODEL**



更多PE351285样品照片参考请扫一扫
MORE PICTUER OF PE 351285
REFERENCE SCAN HERE

推荐 VBS0301
VOYAGERMODEL VBS0301
Recommended



VOYAGERMODEL® 无微不至 极尽享受
The Best Upgrade Solution

Recommended item	
PE 35751	WWII U.S.Army M36B1 GMC Tank Destory Basic
PE 35752	WWII U.S.Army M4A3 tank series track cover
PE 35135	WW II Skirts for M4A2 Pattern 1
PE 35856	WWII US M10 tank destroyer Basic (Gun barrel , Atenna base include)
PE 35139	WWII US M4A2 /Sherman Mk-III
PE 35911	WWII US M4A3(105mm)HVSS Basic
PE 35912	WWII US M4A3 HVSS Fenders/Track Cover

VOYAGERMODEL® 无微不至 极尽享受

Recommended item	
PEA081	WWII US M1919 machine Gun
PE 35700	WWII US M26 Recover Vehicle basic
PE 35703	WWII US M25 tank transporter
PE 351005	WWII US M4A3E8 HVSS Fenders/Track Cover
VBS0219	Modern US Vehicle Mounted M2 Browning Machine Gun Old Model Patten 2 w/SHIELD
PE 35197	WWII US Army M26 Pershing Tank Basic
PE 35376	WWII US Army T26E4 SuperPershing Tank
PE 35445	WWII US Army T26E4 Super Pershing Tank Basic
PE 351005	WWII US M4A3E8 HVSS Fenders/Track Cover
VBS0215	WWII US Vehicle Mounted M2 Browning Machine Gun Patten 2
PE 35729	Modern US Army M46 Patton Medium Tank Basic
PE 35810	WWII US M4A3E8 Sherman "Easy Eight" Basic
PE 35811	WWII US M4A3E8 Sherman Fenders/Track Cover
PE 35709	WWII US M4A3E8 Sherman "Easy Eight" Basic
PE 35710	WWII US M4A3E8 Sherman Fenders/Track Cover